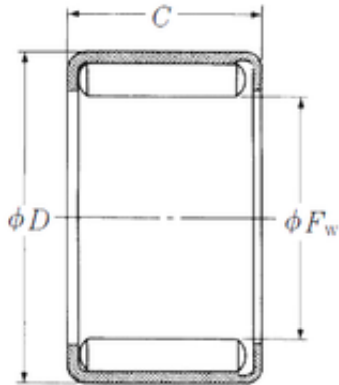




BTE Bearing Power Machinery Co., Ltd.

NSK Y-248 needle roller bearings



Bearing No. Y-248

Size	38.1x47.625x12.7 mm
Bore Diameter	38,1 mm
Outer Diameter	47,625 mm
Width	12,7 mm
Fw	38,1 mm
D	47,625 mm
C	12,7 mm
Weight	0,048 Kg
Basic dynamic load rating (C)	24,7 kN

Y-248 Bearing 2D drawings and 3D CAD models