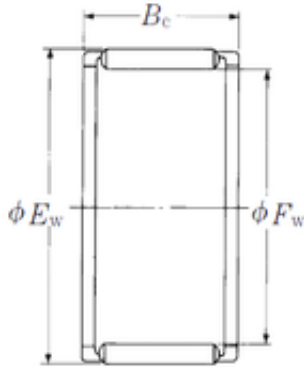




BTE Bearing Power Machinery Co., Ltd.

NSK FWF-354013 needle roller bearings



Bearing No. FWF-354013

Bore Diameter	35 mm
Outer Diameter	40 mm
Fw	35 mm
Ew	40 mm
Bc	13 mm
Weight	0,016 Kg
Basic dynamic load rating (C)	14,9 kN
Basic static load rating (C0)	24,6 kN
(Grease) Lubrication Speed	7500 r/min
hidYobi	FWF-354013
LangID	1
Prod_Type3	NRB_CNRA_FWF-FWJ
d	35
D_	40
DA_	2.5
Z_	26
C	15.8
B_	13
hidTable	ecat_NSCRA
yobi	FWF-354013
mass	16
GRS rpm	7500
OIL rpm	12000
SDM_	37.5
KBRG	8113
C0	26.4

FWF-354013 Bearing 2D drawings and 3D CAD models



BTE Bearing Power Machinery Co., Ltd.

SLR	9.8
-----	-----