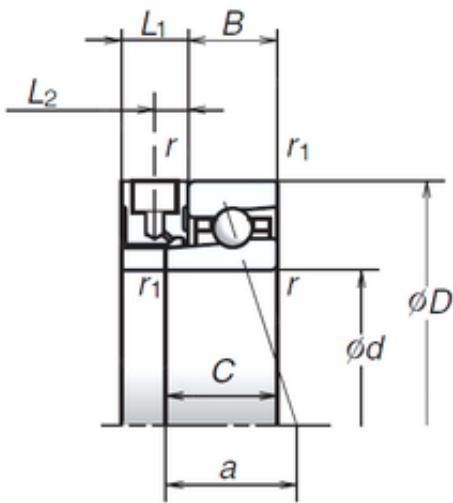




BTE Bearing Power Machinery Co., Ltd.



NSK 110BER19XE angular contact ball bearings

Bearing No. 110BER19XE

Size	110x150x20 mm
Bore Diameter	110 mm
Outer Diameter	150 mm
Width	20 mm
d	110 mm
D	150 mm
B	20 mm
C	25 mm
L2	7,5 mm
Angle (°)	25 °
a	45,3 mm
r min.	1,1 mm
r1 min.	0,6 mm
L1	15 mm
Weight	0,804 Kg
Basic dynamic load rating (C)	37,5 kN
Basic static load rating (C0)	36,5 kN
(Grease) Lubrication Speed	23 100 r/min

110BER19XE Bearing 2D drawings and 3D CAD models