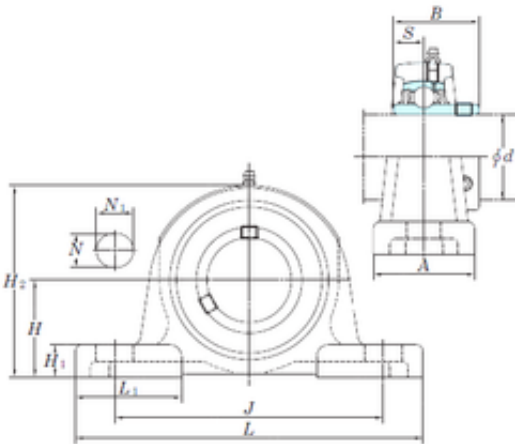




**KOYO UCPX06-19 bearing units**

Bearing No. UCPX06-19



UCPX06-19 Bearing 2D drawings and 3D CAD models

Bore Diameter	30,1625 mm
Width	42,9 mm
d	30,1625 mm
A	57 mm
B	42,9 mm
H	47,6 mm
H1	17 mm
H2	93 mm
J	127 mm
L	175 mm
L1	55 mm
N	17 mm
N1	25 mm
S	17,5 mm
Bolt (G)	M14
Weight	2,1 Kg
Basic dynamic load rating (C)	25,7 kN
Basic static load rating (C0)	15,4 kN