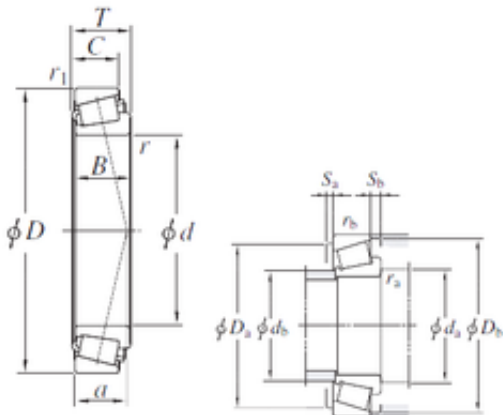




BTE Bearing Power Machinery Co., Ltd.

KOYO 30236JR tapered roller bearings

Bearing No. 30236JR



30236JR Bearing 2D drawings and 3D CAD models

Size	180x320x57 mm
Bore Diameter	180 mm
Outer Diameter	320 mm
Width	57 mm
d	180 mm
D	320 mm
T	57 mm
B	52 mm
C	43 mm
a	63,6 mm
r min.	5 mm
r1 min.	4 mm
r2 min.	4 mm
da min.	202 mm
da max	211 mm
Da min	278 mm
Da max.	302 mm
db max.	211 mm
Db min.	297 mm
ra max.	4 mm
rb max.	3 mm
Db	297 mm
Weight	18,3 Kg
Basic dynamic load rating (C)	615 kN
Basic static load rating (C0)	870 kN
(Grease) Lubrication Speed	1100 r/min



BTE Bearing Power Machinery Co., Ltd.

(Oil) Lubrication Speed	1400 r/min
Calculation factor (e)	0,45
Calculation factor (Y0)	0,73
Category	Bearings
Inventory	0.0
Manufacturer Name	KOYO
Minimum Buy Quantity	N/A
Weight / US pound	40.31
Product Group	B04334
Bearing No.	30236JR
r(min)	5
r1(min)	4
Cr	771
C0r	870
Cu	102
Grease lub.	1100
Oil lub.	1400
a	63.6 mm
da(min)	202
db(max)	211
Da(max)	302
Da(min)	278
Db(min)	297
Sa(min)	9
Sb(min)	14
ra(max)	4
rb(max)	3
e	0.45
Y1	1.33
Y0	0.73
(Refer.) Mass(kg)	18.3