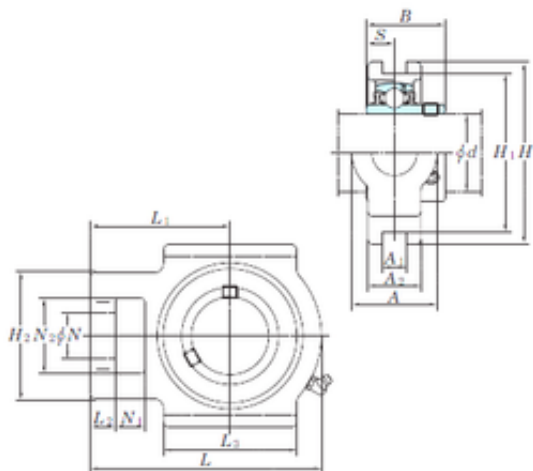




BTE Bearing Power Machinery Co., Ltd.



KOYO UCT211E bearing units

Bearing No. UCT211E

Bore Diameter	55 mm
d	55 mm
L2	19 mm
L3	95 mm
A	64 mm
A1	27 mm
B	55,6 mm
H	146 mm
H1	130,17 mm
H2	102 mm
L	171 mm
L1	106 mm
N	35 mm
N1	25 mm
S	22,2 mm
A2	38 mm
N2	64 mm
Weight	4 Kg
Basic dynamic load rating (C)	43,4 kN
Basic static load rating (C0)	29,4 kN

UCT211E Bearing 2D drawings and 3D CAD models